

VIDEOCOLPOSCOPE VC-202 HD

OVER
Full HD

New!



Probably the First Full HD Vid
Superb Picture Quality and Col

High Optical Magnification

Fast ZOOM and Autofocus

Object Size Estimation

Glare Reduction System

Picture Freeze Function

Very Ergonomic and Easy to Use

Probably the First Full HD Videocolposcope
Superb Picture Quality and Colour Reproduction
High Optical Magnification
Fast ZOOM and Autofocus
Object Size Estimation
Glare Reduction System
Picture Freeze Function
Very Ergonomic and Easy to Use

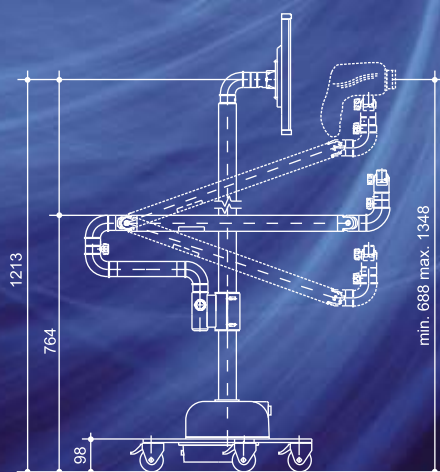


VC-202 HD



TECHNICAL SPECIFICATION VC-202 HD*

Magnification	4x - 30x
Field of view	14 mm - 100 mm
Object distance	50 mm - 300 mm
Illumination	single ring, 30 ultra bright LEDs – cold light
Image resolution	UXGA (1600x1200 pixels)
Focus	autofocus or manual control
Zoom	6 steps of magnification
Filter	digital red free and negative
Glare reduction	optical system based on polarization technique
Image memory	1 image stopped by foot or by control panel
Object size estimation	scale function in mm calibrated
Video output (to external monitor, PC)	HDMI, USB 2.0
Video input (to LCD monitor)	SD: S-VHS, Composite
Power requirements	100 - 250 VAC, 50/60 Hz



*The specifications may change without notice.

DISTRIBUTOR



medi.com sp. z o.o.
 ul. Promień 4
 51-659 Wrocław, Poland
 phone: +48 71 345 31 99
 fax: +48 71 345 31 98
 e-mail: sales@medi.com.pl
 www.medi.com.pl

